



PrH

PRODUCT  
HANDLING

# SOUTHERN PACKAGING POWERPOUCH IM

HORIZONTAL FORM, FILL AND SEAL MACHINERY

# YOUR PACKAGING SOLUTIONS PARTNER

## THE BENCHMARK ADVANTAGE

Southern Packaging's Intermittent Motion Packagers are versatile Horizontal Form/Fill/Seal Pouch Packaging machines exclusively designed and manufactured by Benchmark. Southern Packaging's PowerPouch - designed by Benchmark incorporates the latest controls and a sturdy design into a ruggedly dependable machine built for efficient operation.

Operator friendly software and diagnostics on the touchscreen interface minimize changeovers and downtime. Scheduled maintenance is made easy with improved access to key components and quick change out of parts. The PowerPouch eliminates high priced use of pre-made pouches and hand loading with an ROI that is typically under a year.

## OPERATION

Pouch material is fed from the web roll through the plow section to form the desired pouch style. After folding to the correct configuration, the pouch is bottom and side sealed. Other optional functions in this section include: code dating, tear notching, hole punching, die cutting the pouch to a shape, labeling and the application of a re-sealable zipper material.

After forming and sealing, the material is cut to a mechanical or printed registration in the center of the side seal area. The empty pouch, with the top seal area unsealed, is transferred to a pouch clamp assembly, and indexed through the filling and top seal section of the machine, opened by vacuum or mechanical openers at each of a variety of filling stations. After leaving the top seal section, the pouch is removed by a vacuum pickoff assembly and oriented for transfer to downstream packaging equipment.

## FEATURES AND BENEFITS

- Efficient, reliable operation
- Quick, easy changeovers
- Intuitive operation
- Maintenance friendly
- Easy to clean
- Short term ROI

## CONSTRUCTION

Our rugged design and attention to detail result in long equipment life.

## EASY TO OPERATE

Intuitive operator interface and the latest controls result in accurate, efficient loading with minimal training.

## SHORT TERM ROI

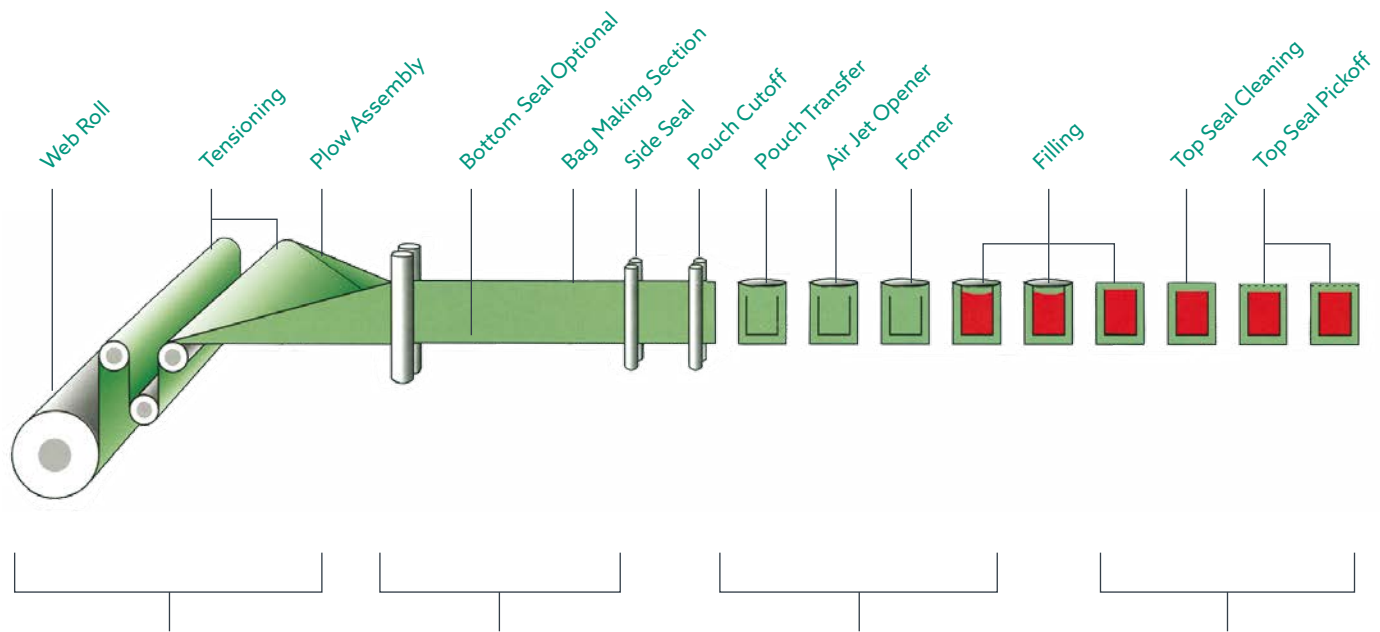
Low capital cost coupled with minimal installation results in ROI in under a year.

## FLEXIBILITY

Sequential filling of multiple ingredients as well as the versatility to package a wide range of products.

## LOW MAINTENANCE DESIGN

Key components easily accessible minimizing maintenance and sanitation time.



#### UNWIND SYSTEM

The web unwind features a web tensioning system and adjustable web forming plow.

#### BAG MAKING SECTION

This section features the bottom and side seal heating systems allowing for variety of optional functions.

#### POUCH CUT-OFF AND TRANSFER

Accommodates registered or non registered film and features a positive transfer of the pouch from the forming section to the filling section of the machine.

#### VACUUM PICKOFF

A variety of pickoff and discharge options are available to interface smoothly and efficiently to your downstream equipment.

#### TYPICAL POUCH DIMENSIONS

##### Minimum:

All Models: 2.25" wide x 2" high

##### Maximum:

IM6: 4.75" wide x 9.5" high

IM7: 5.75" wide x 9.5" high

IM9: 7.75" wide x 9.5" high

##### Speeds:

Up to 100 pouches/minute for PowerPouch

Up to 150 pouches/minute for PowerPouch with funnel conveyor

Up to 200 pouches/minute for PowerPouch in tandem

#### STANDARD FEATURES

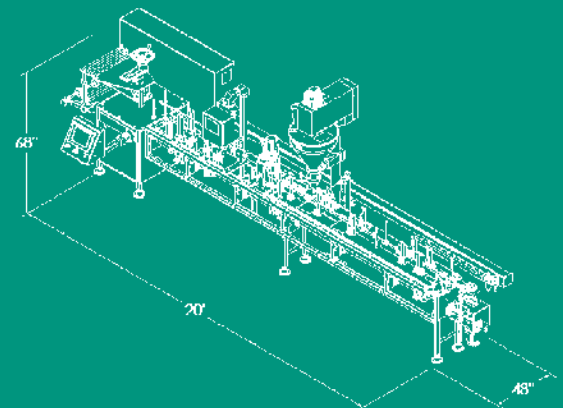
- Plow height adjustment handwheel for quick changeover
- Variety of pitches and workstation configurations to conform to your packaging requirements
- Fiber Optic photo registration system for printed webs
- Cluster Lubrication
- Centralized operator controls

#### SPECIFICATIONS

**Power:** 230V, 3PH, 60HZ, 30A

**Controls:** Color Touchscreen operator interface, Allen Bradley ControlLogix motion controller and servomotors.

**Power:** 230V, 3PH, 60HZ, 15A





Benchmark designs and manufactures high-performance, low-maintenance, easy-to-operate product handling systems for the food and bakery manufacturers, including distribution systems, automatic cartoner infeeds, shuttle and disk feeders, stackers, mergers, tray loaders, and slug loaders. Benchmark also manufactures the Southern Packaging line of intermittent motion horizontal form fill seal pouch packaging systems. Benchmark is a product brand of ProMach, a global leader in packaging line solutions. As part of the ProMach Product Handling business line, Benchmark helps our packaging customers protect and grow the reputation and trust of their consumers. ProMach is performance, and the proof is in every package.

1965 Statham Dr.  
Statham, GA 30666  
P: 706-208-0814

E: [Benchmark@ProMachBuilt.com](mailto:Benchmark@ProMachBuilt.com)  
[BenchmarkAutomation.net](http://BenchmarkAutomation.net)